

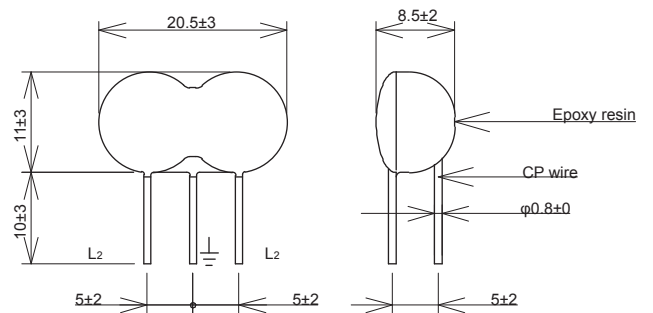
R·A·V·LD (for protecting network line)

RAV-LD series are designed as surge absorbers for protection of telecommunication lines from indirect lightning surges. They demonstrate extremely fast response time and positive surge absorption operation compared to gas arresters.

They contain two of RAV in one package with 3 leads.

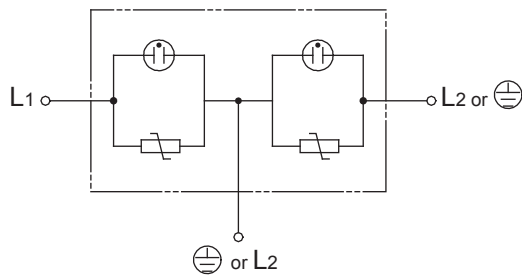


• *Dimensions*



Unit: mm

• *Circuit*



Electrical Specifications

Model Number	Clamping Voltage (V) ±10% *1	Impulse Discharge Current 8/20µs (A)	Withstanding Impulse Voltage 1.2/50µs (V)	Response Time (ns)	Capacitance (pF) *2	Operating Temp. Range (°C)
R·A·V·221LD	220	2,400	12,000	50	90	-20 ~ +70
R·A·V·361LD	360				37	
R·A·V·401LD	400				30	
R·A·V·621LD	620				40	

*1 Equivalent varistor voltage@1mA

*2 Reference Value