

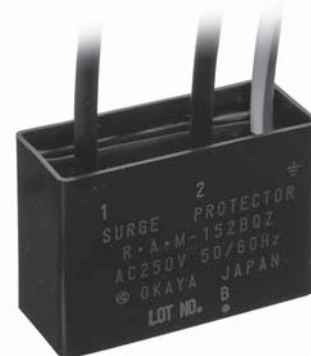


Features

- Compact size SPD of rated AC250V available
- No use the fuse to between lines circuit because of SPD has a built-in separation mechanism
- Impulse discharge current 8/20 μ s-2kA
Common mode (1.2/50 μ s(R=12 Ω)-15kV) available.
- Compliance with safety standard (TÜV)
- External setting available for LED security light and LED street light.

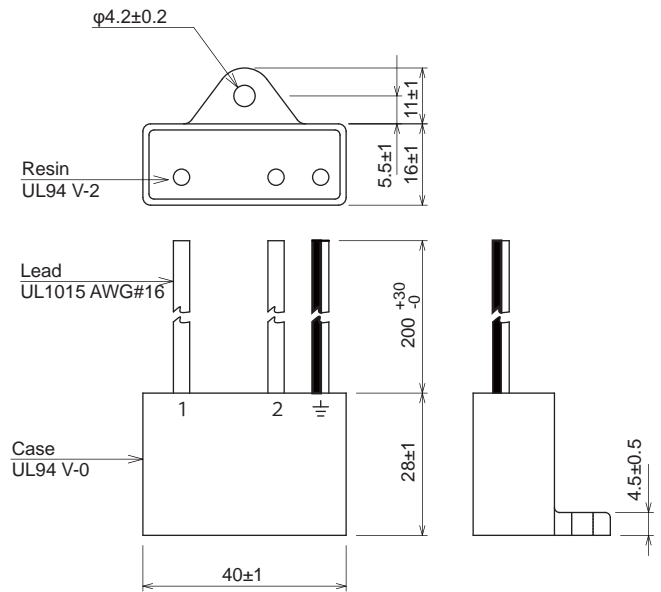
Applications

- LED security light, LED street light



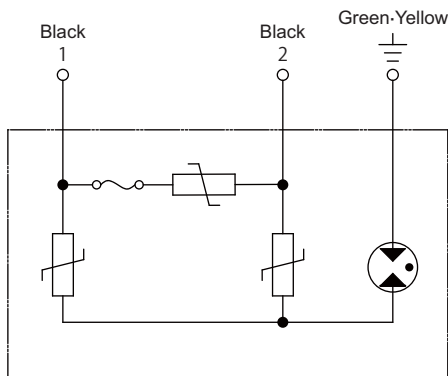
NEW

• *Dimensions*



Unit: mm

• *Circuit*



Electrical Specifications

Safety Standard	Model Number	Rated Voltage 50/60Hz (Vac)	Max. Line Voltage (Vac)	Varistor Voltage (V) $\pm 10\%$	DC Breakdown Voltage Ez +30	Impulse Discharge Current 8/20 μ s (A)	Insulation Resistance IR DC500V	Withstand Voltage Test (Vac)	Operating Temp. Range (°C)	Weight (g) Approx.	
-	R-A-M-152BQZ (LED)	1-2	250	300	470	-	2,000	>1,000	-	-40 ~ +70	40
		1,2- $\frac{1}{2}$	-	-	-	1,200					