



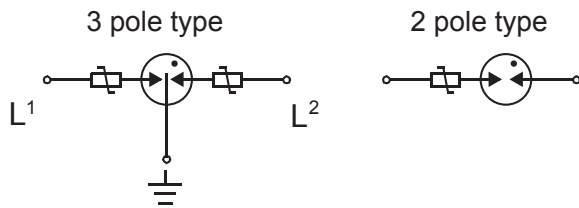
Features

- The RAV Surge Absorber is applicable for the protection of many types of electrical equipment.
The RAV has the following features:
- 1) Large capacity surge protection.
- 2) Fast response time.
- 3) Good endurance to repetitive lightning.
- 4) Small electrostatic capacity.
- 5) No environmentally hazardous materials.

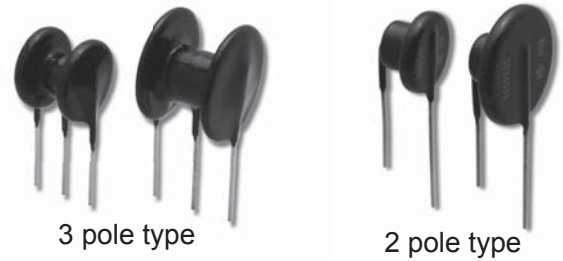
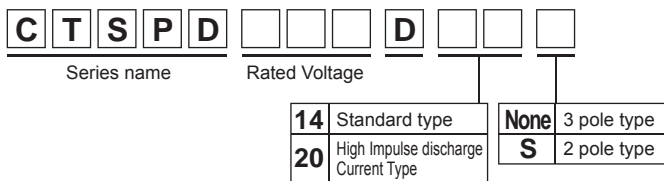
Applications

- Telephone, PBX, Wireless base station
- Optical transmission equipments
- CATV transmission equipments
- Fire alarm systems and Home security systems
- RoHS restriction complied

• *Circuit*

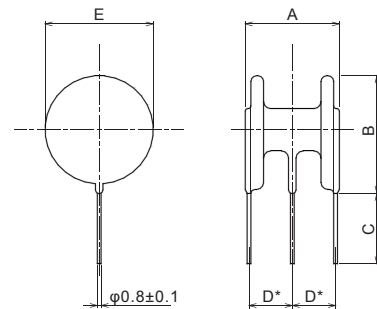


• *Model numbering system*

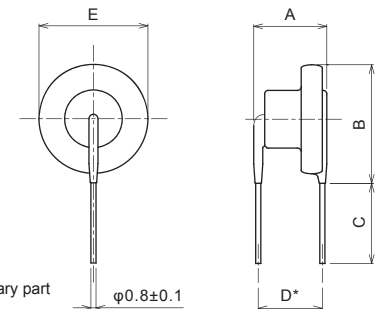


• *Dimensions*

3 pole type



2 pole type



*Dimension of elementary part

Unit: mm

Type	Model Number	Dimensions (mm)				
		A max.	B max.	C min.	D	E max.
3 pole	CTSPD-125D14	20	22	10	8±1	17
	CTSPD-125D20		25			23
	CTSPD-250D14	21	22			17
	CTSPD-250D20		25			23
2 pole	CTSPD-125D14S	13	20	10	10±1	17
	CTSPD-125D20S		25.5			23
	CTSPD-250D14S	14	20			17
	CTSPD-250D20S		25.5			23

Electrical Specifications

Type	Model Number	Nominal Line Voltage 50/60Hz	Max. Line Voltage 50/60Hz	DC Operating Voltage 2,000V/s		Impulse Sparkover Voltage 10/200µs 3,000V		Residual Voltage 10/200µs 200A		Insulation Resistance DC100V	Capacitance 1MHz max. (pF)	Impulse Discharge Voltage 8/20µs 1 time (A)	Impulse Life Test 10/200µs 400A (times)
				Between L-E	Between L-L	Between L-E	Between L-L	Between L-E	Between L-L				
3 pole	CTSPD-125D14	AC125V	AC150V	>300V	>300V	<800V	<1,500V	<550V	<1,100V	>50MΩ	<3pF	9,000	1,000
	CTSPD-125D20			>300V	>300V	<800V	<1,500V	<550V	<1,100V			15,000	
	CTSPD-250D14	AC250V	AC300V	>500V	>500V	<1,300V	<2,000V	<1,000V	<1,600V			9,000	
	CTSPD-250D20			>500V	>500V	<1,300V	<2,000V	<1,000V	<1,600V			15,000	
2 pole	CTSPD-125D14S	AC125V	AC150V	>300V	-	<800V	-	<550V	-	>50MΩ	<3pF	4,500	1,000
	CTSPD-125D20S			>300V	-	<800V	-	<550V	-			7,500	
	CTSPD-250D14S	AC250V	AC300V	>500V	-	<1,300V	-	<1,000V	-			4,500	
	CTSPD-250D20S			>500V	-	<1,300V	-	<1,000V	-			7,500	