



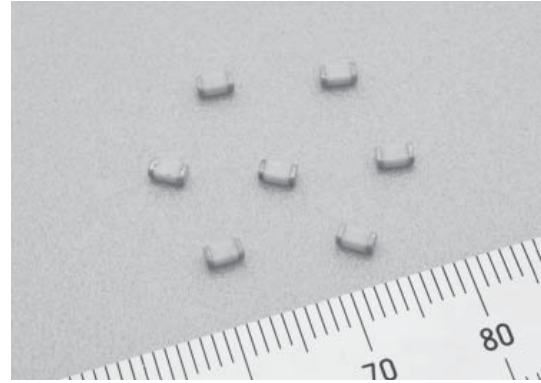
RHCA3216 series is chip surge absorber for protection from static electricity/indirect lighting surge, smaller and thinner than ceramic tube lead type, adaptable for high density surface mount technology. Impulse current capacity is 2,000A 8/20 $\mu$ s.



Safety Standard	File No.
UL :UL497B	E139599

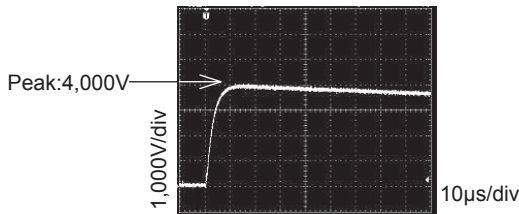
**Features**

- Chip surge absorber for protection from static electricity/indirect lighting surge, adaptable to high density surface mount technology
- Usable for reflow / flow soldering
- Compliance with IEC61000-4-5
  1. Surge current capacity 8/20 $\mu$ s-500A  $\pm$ 5times
  2. 10/700 $\mu$ s 4,000V (R=25 $\Omega$ )  $\pm$ 5times
- Good impulse absorbency
- Electrostatic capacity (Maximum 0.3pF)
- Embossed taping
- RoHS Directive-compliant components

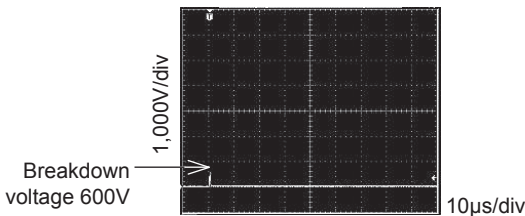


**Impulse Absorption Characteristics**

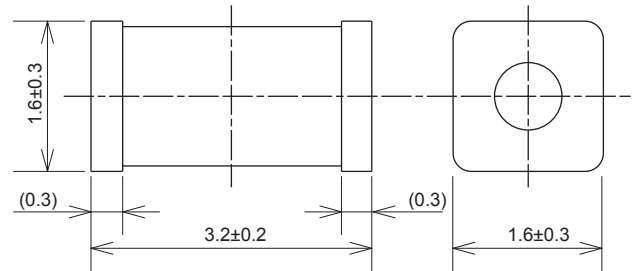
Impulse waveform 10/700 $\mu$ s-4,000V, IEC61000-4-5



RHCA-201Q31U

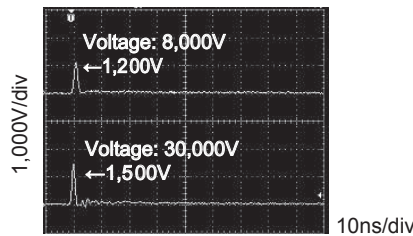


**Dimensions**

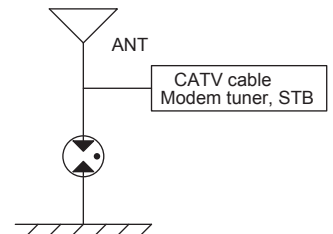


Unit: mm

IEC61000-4-2 150pF-330 $\Omega$ -XkV  
RHCA-201Q31U  
ESD impulse waveform



**Example**

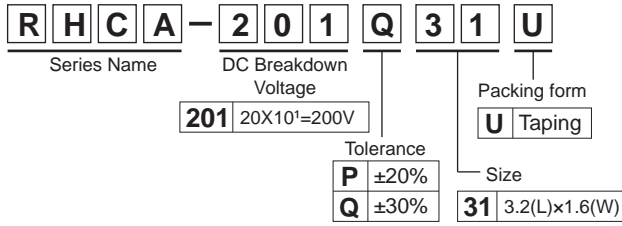


**Electrical Specifications**

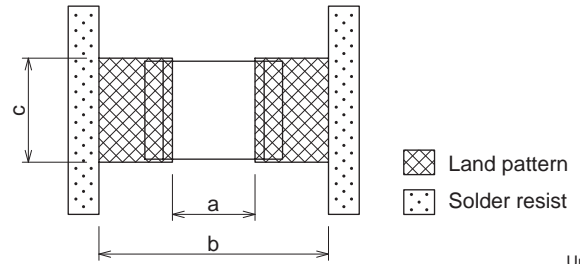
Safety Standard	Model Number *1	DC Breakdown Voltage (V)	Insulation Resistance (M $\Omega$ ) min.	Capacitance 1MHz (pF) max	Impulse Life Test	Impulse Current Capacity	Impulse Withstanding Voltage Capacity*2
	RHCA-900□31U	90	100(DC50V)	0.3	8/20 $\mu$ s, 50A 300 times	8/20 $\mu$ s, 500A Positive/Negative 5 times	10/700 $\mu$ s, 4,000V (R=25 $\Omega$ ) Positive/Negative 5 times
	RHCA-201□31U	200	100(DC100V)				
	RHCA-301□31U	300					
	RHCA-401□31U	400					
	RHCA-501□31U	500					

\*1 □: Tolerance  $\pm$ 20%=P, Tolerance  $\pm$ 30%=Q  
\*2 Comforms to ITU-T K.20,K.21 Enhanced test

● Model numbering system



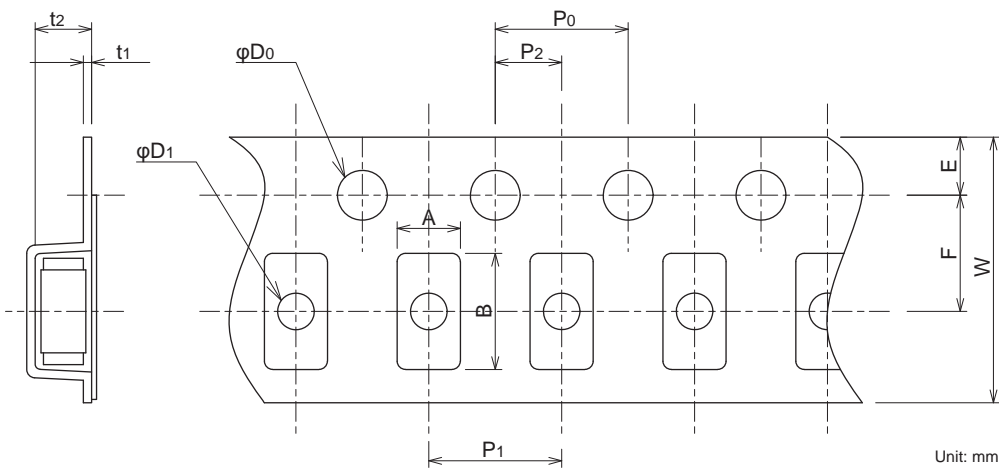
● Recommended Land Pattern (Typical value)



Unit: mm

	Dimensions (mm)		
	a	b	c
Reflow Soldering	1.8 ~ 2.5	3.8 ~ 5.5	1.2 ~ 2.0
Flow Soldering		2.4 ~ 3.6	1.2 ~ 1.6

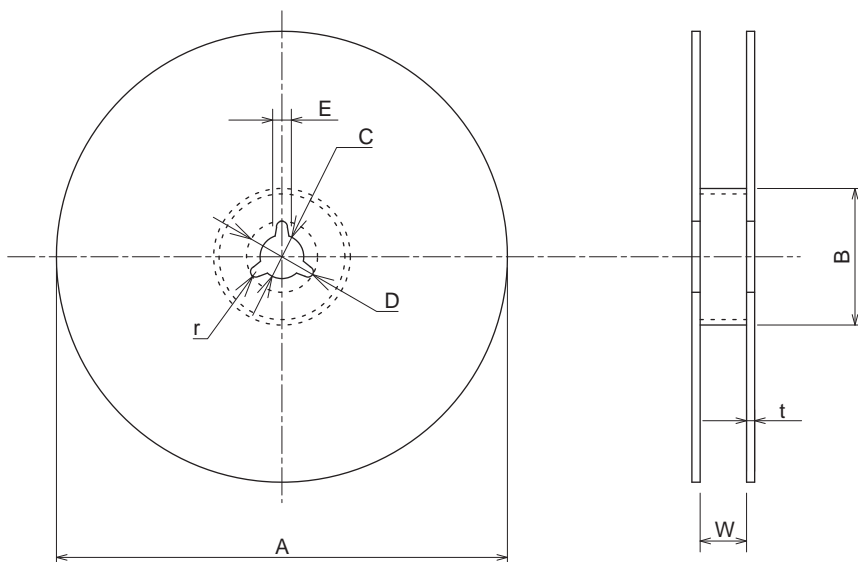
● Taping Dimensions



Unit: mm

Dimensions (mm)	
A	1.9 <sup>+0.2</sup> <sub>-0.1</sub>
B	3.5±0.1
W	8.0±0.3
F	3.5±0.05
E	1.75±0.1
P <sub>1</sub>	4.0±0.1
P <sub>2</sub>	2.0±0.05
P <sub>0</sub>	4.0±0.1
D <sub>0</sub>	φ 1.5 <sup>+0.1</sup> <sub>-0</sub>
D <sub>1</sub>	φ 1.1±0.1
t <sub>1</sub>	0.3±0 <sup>0.1</sup> <sub>0.4</sub>
t <sub>2</sub>	2.0

● Reel Dimensions (2,000pcs per one reel)



Unit: mm

Dimensions (mm)	
A	φ 180.0 <sup>+0</sup> <sub>-1.5</sub>
B	φ 60 <sup>+1</sup> <sub>-0</sub>
C	φ 13.0±0.2
D	φ 21.0±0.8
E	2.0±0.5
W	9.0 <sup>+1.0</sup> <sub>-0.5</sub>
t	1.6±0.5
r	1.0