

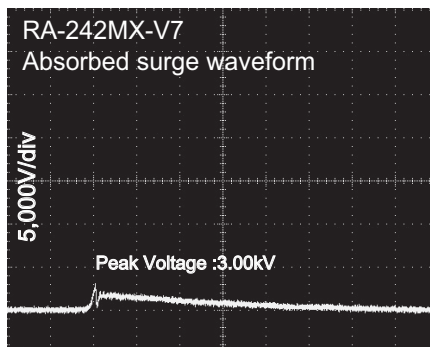
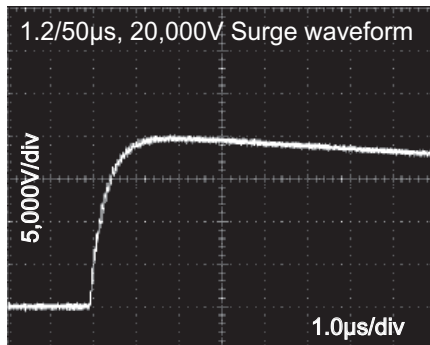


### Features

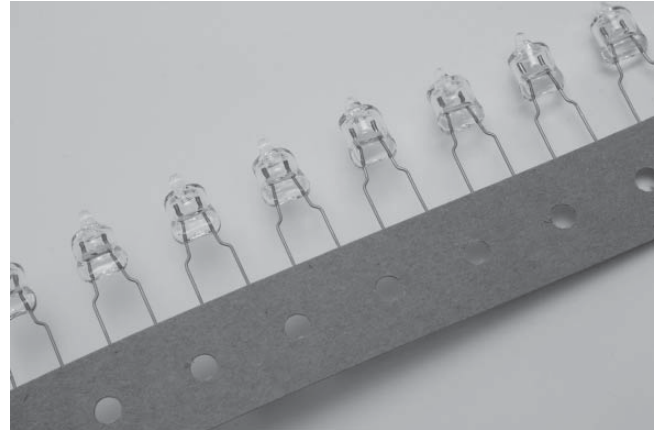
- Invented 3mm height smaller size of RA-V7 Series compare with present productions
- Dielectric strength voltage test compliant
- High-speed response of surge
- Wide range of lineup from DC500V to DC4,500V
- Will be soon approved for UL, CSA, TÜV, SEMKO

### Applications

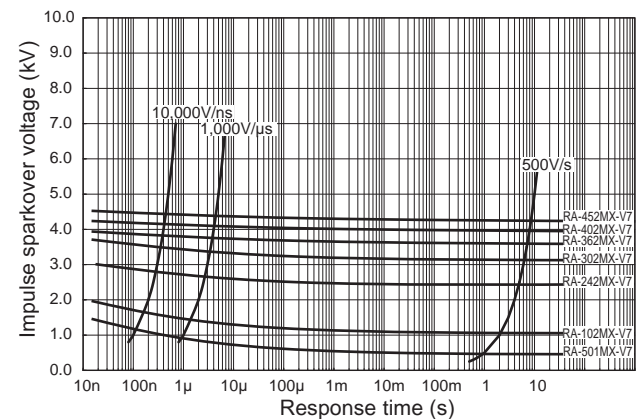
- Switching power supply, Inverter power supplies
- Refrigerator, Laundry machine, Air conditioner
- LED Lighting
- Copier, Telecommunication equipment
- *Impulse Absorption Characteristics*



Safety Standard		File No.
UL	:UL1449 3rd.	E322107
CSA	:C22.2 No.60065	105073
TÜV	:EN60065 :EN60950-1	J50114145
SEMKO	:IEC61643-1 :EN61643-11	SE-66249A1 1312809



### V-t Characteristics



### Electrical Specifications

Safety Standard				Model Number	DC Breakdown Voltage (V)	Insulation Resistance (M $\Omega$ ) min.	Capacitance 1MHz (pF) max.	Impulse Current Capacity 8/20 $\mu$ s (A)	Impulse Life test 8/20 $\mu$ s 100A	Withstanding Voltage	
UL	CSA	TÜV	SEMKO								
○ <sup>*1</sup> <sub>3</sub>	○ <sup>*4</sup> <sub>5</sub>	-	○	RA-501MX-V7-Y/Y(5)	500(400~600)	1000(DC100V)	1.0	300 times	3,500	—	
○ <sup>*1</sup> <sub>3</sub>	○ <sup>*4</sup> <sub>5</sub>	-	○	RA-601MX-V7-Y/Y(5)	600(480~720)	1000(DC250V)				—	
○ <sup>*2</sup> <sub>3</sub>	○ <sup>*4</sup> <sub>5</sub>	-	○	RA-102MX-V7-Y/Y(5)	1,000(800~1,200)	1000(DC500V)				—	
○ <sup>*2</sup> <sub>3</sub>	○ <sup>*4</sup> <sub>5</sub>	-	○	RA-152MX-V7-Y/Y(5)	1,500(1,200~1,800)					—	
○ <sup>*2</sup> <sub>3</sub>	○ <sup>*4</sup> <sub>5</sub>	-	○	RA-242MX-V7-Y/Y(5)	2,400(1,920~2,880) <sup>*7</sup>					AC1,250V 3s	
○ <sup>*1</sup> <sub>3</sub>	○ <sup>*4</sup> <sub>5</sub>	○ <sup>*6</sup>	○	RA-302MX-V7-Y/Y(5)	3,000(2,400~3,600) <sup>*7</sup>					AC1,500V 60s	
○ <sup>*1</sup> <sub>3</sub>	○ <sup>*4</sup> <sub>5</sub>	○ <sup>*6</sup>	○	RA-362MX-V7-Y/Y(5)	3,600(2,880~4,320) <sup>*7</sup>					AC1,800V 3s	
○ <sup>*1</sup> <sub>3</sub>	○ <sup>*4</sup> <sub>5</sub>	○ <sup>*6</sup>	○	RA-402MX-V7-Y/Y(5)	4,000(3,200~4,800) <sup>*7</sup>					AC2,000V 60s	
○ <sup>*1</sup> <sub>3</sub>	○ <sup>*4</sup> <sub>5</sub>	○ <sup>*6</sup>	○	RA-452MX-V7-Y/Y(5)	4,500(3,600~5,400) <sup>*7</sup>					1000(DC1000V)	AC2,000V 60s

\*1 Rated voltage AC125V: Approved if it is connected to UL approved varistor (V1.0mA $\geq$ 270V, D $\geq$ 7 mm).

\*2 Rated voltage AC125V: Approved if it is connected to UL approved varistor (V1.0mA $\geq$ 270V, D $\geq$ 5 mm).

\*3 Rated voltage AC250V: Approved if it is connected to UL approved varistor (V1.0mA $\geq$ 390V, D $\geq$ 7 mm).

\*4 Rated voltage AC125V: Approved if it is connected to UL approved varistor (V1.0mA $\geq$ 270V, D $\geq$ 14 mm).

\*5 Rated voltage AC250V: Approved if it is connected to UL approved varistor (V1.0mA $\geq$ 470V, D $\geq$ 14 mm).

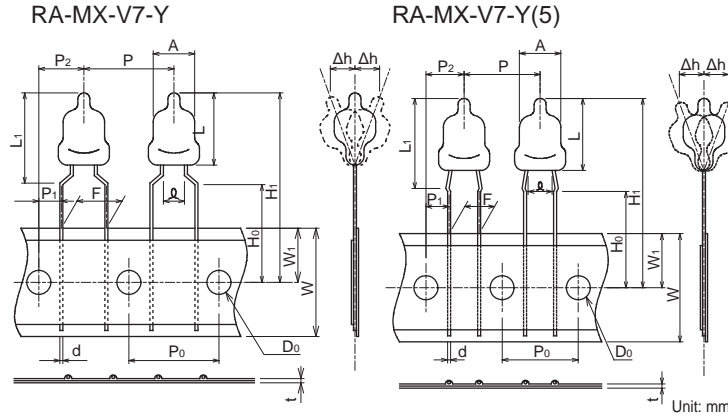
\*6 Rated voltage AC125V/250V: Approved if it is connected to UL approved varistor (V1.0mA $\geq$ 470V, D $\geq$ 5 mm).

\*7 Reference Value



RA-MX-V7-Y

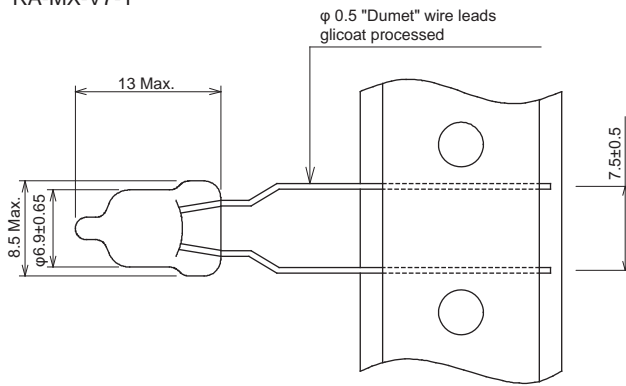
• Taping Dimensions



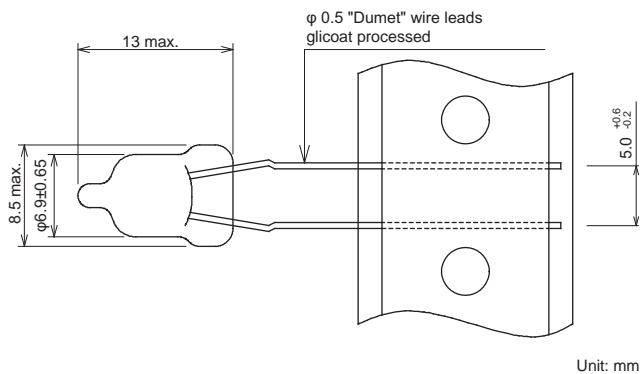
Description	Symbol	Dimension (mm)	
		RA-MX-V7-Y	RA-MX-V7-Y(5)
High	L	13.0 max.	
Lamp Diameter	A	φ 6.9±0.65	
Lead Diameter	d	φ 0.5±0.05	
Leads clearance	∅	4.0 min.	
Height from PCB top	L <sub>1</sub>	18.0 max.	
Lamp pitch	P	15.0±1.0	12.7±1.0
Hole pitch	P <sub>0</sub>	15.0±0.3	12.7±0.3
Hole position	P <sub>1</sub>	3.75±0.7	3.85±0.7
	P <sub>2</sub>	7.5±1.3	6.35±1.3
Lead pitch	F	7.5±0.5	5.0± <sup>0.6</sup> / <sub>0.2</sub>
Declining	Δh	±2.0	
Paper width	W	18.0±0.5	
Hole position	W <sub>1</sub>	9.0±0.5	
Lead clinch height	H <sub>0</sub>	16.0±0.5	
Product height*	H <sub>1</sub>	(34.5)	
Hole diameter	D <sub>0</sub>	φ 4.0±0.2	
Paper thickness	t	0.9 max.	

• Forming Dimensions

RA-MX-V7-Y



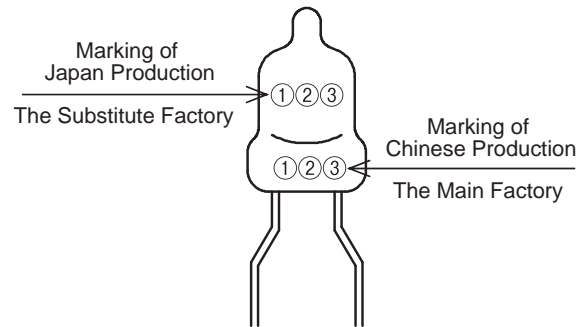
RA-MX-V7-Y(5)



• Packing Quantity per Carton

RA-MX-V7-Y Series: 1,500 pcs  
RA-MX-V7-Y(5) Series: 1,800 pcs

• Packing Description of Marking



① .....DC Breakdown Voltage

DC Sparkover voltage brevity code	501	601	102	152	242	302	362	402	452
Code	F	A	J	K	T	L	S	V	Y

② .....The year manufactured eg.) 2013→3

③ .....The month manufactured (see below)

Month	1	2	3	4	5	6	7	8	9	10	11	12
Symbol	A	B	D	E	F	G	H	J	K	L	M	N