



# SUP-JH-ER SERIES

# NOISE FILTERS



## Features

- Common and normal mode attenuation to 30MHz.
- Leak current lower than 1.0mA (250Vac, 60Hz).
- Bleeder resistor for electric shock protection.

## Applications

- Copiers, Fax machines, Office appliances, Measuring devices, Control systems.

- SUP-J□H-ER-4 Series (Screw terminal)

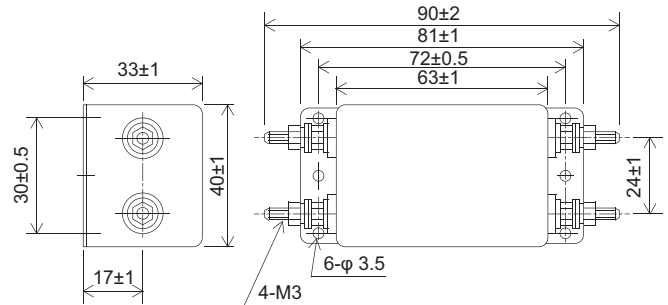


Safety Standard		File No.
CSA	:C22.2, No.8-M1986	LR60681
SEMKO	:EN60939	SE/014-18

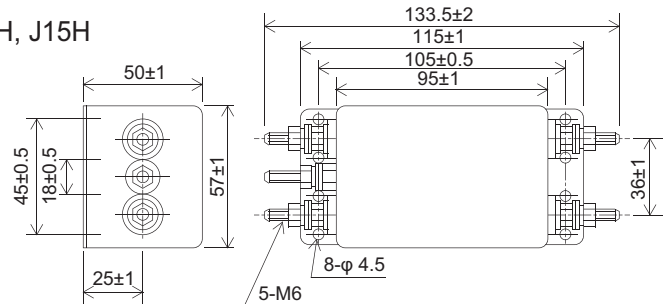
The "ENEC" mark is a common European product certification mark based on testing to harmonised European safety standard.

## Dimensions

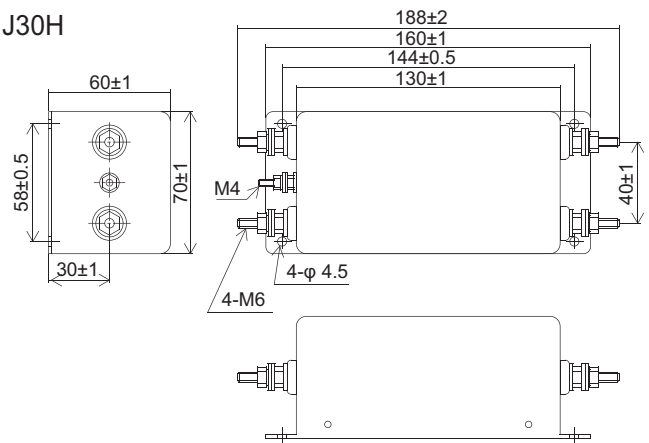
J5H



J10H, J15H

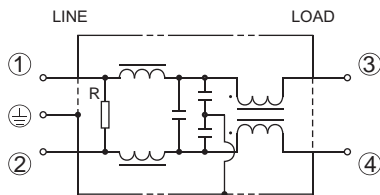


J20H, J30H



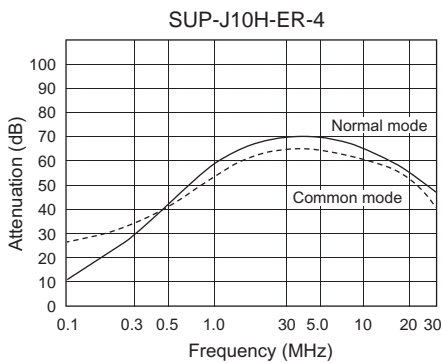
Unit: mm

## Circuit



Bleeder resistor R: 1MΩ (J5H, J10H, J15H)  
470kΩ (J20H, J30H)

## Static characteristics



## Electrical Specifications

Rated Voltage **250Vac**

Safety Standard	Model Number	Rated Current (A)	Test Voltage	Insulation Resistance	Leakage Current max.	Voltage Drop max.	Temperature Rise max.	Operating Temperature (°C)	Insertion losses		Weight typ.(g)
									Normal Mode (MHz)	Common Mode (MHz)	
SP	SUP-J5H-ER-4	5	Line to Line 1,000Vac 50/60Hz 60sec Line to Case 2,000Vac 50/60Hz 60sec	Line to Case 6,000MΩmin. (at 500Vdc)	1.0mA (at 250Vac 60Hz)	1.5Vac	30K	-25 ~ +55 (85°C with Temp. rise)	0.5 ~ 30	0.5 ~ 20	230
	SUP-J10H-ER-4	10							0.6 ~ 30		
SUP-J15H-ER-4	15	1.0 ~ 30							1.0 ~ 20	620	
SUP-J20H-ER-4	20	0.5 ~ 30							0.9 ~ 20	1,270	
SUP-J30H-ER-4	30	0.7 ~ 30							2.0 ~ 20		

Guaranteed attenuation is more than 30dB.