

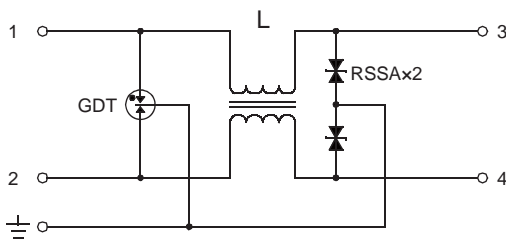
## Features

- SPD for data signal line and control line
- Compliance to JIS C 5381-2 and category C2/D1
- Impulse withstand current C2: 8/20 $\mu$ s-5kA  
D1: 10/350 $\mu$ s-2.5kA
- Longer impulse current life and higher impulse withstand current than old R·S·M-RL.

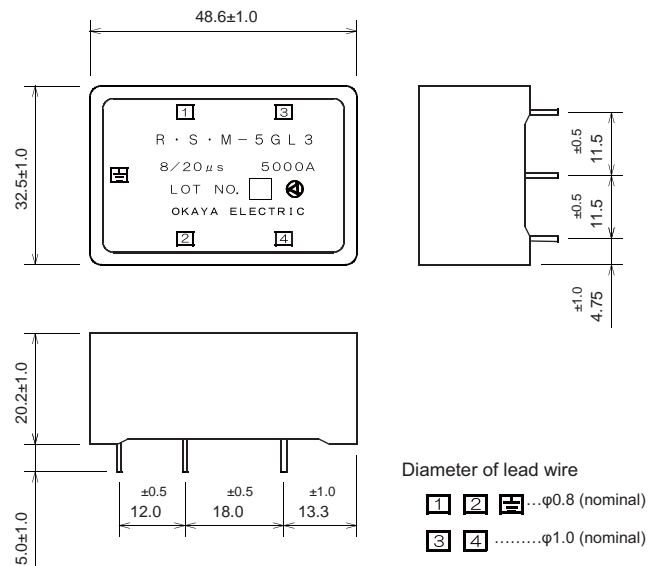
## Applications

- Data processing machine and control machine with communication signal line
- LED light dimmer
- Fire alarm apparatus system
- Security camera
- Outdoor display unit

## Circuit




## Dimensions



Unit: mm

## Electrical Specifications

Model Number			R·S·M-5GL3	R·S·M-12GL3	R·S·M-24GL3	R·S·M-48GL3
Rated Voltage	①,②- $\frac{-}{\oplus}$	-	DC5.0V	DC12.0V	DC24.0V	DC48.0V
Max. Continuous Operating Voltage	①,②- $\frac{-}{\oplus}$	-	DC6.05V	DC14.5V	DC26.8V	DC55.1V
Rated Current	①-③-④-②	-	3A			
Residual Voltage (representative value) 1.2/50 $\mu$ s-8/20 $\mu$ s, 10kV-5kA	③,④- $\frac{-}{\oplus}$	-	30V	60V	70V	100V
Impulse Discharge Current	①,②- $\frac{-}{\oplus}$	Category C2	8/20 $\mu$ s-5kA, 5 times for each positive and negative			
		Category D1	10/350 $\mu$ s-2.5kA, 1 time for each positive and negative			



**Features**

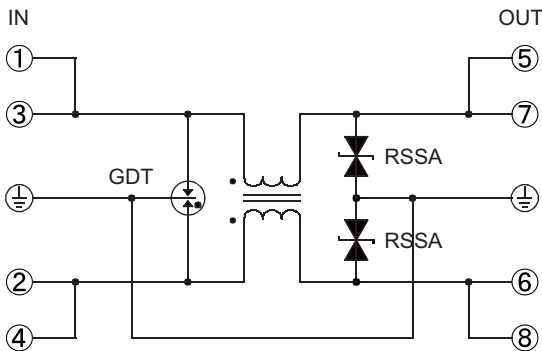
- SPD for data signal line and control line
- Compliance to JIS C 5381-2 and category C2/D1
- Impulse withstand current C2: 8/20 $\mu$ s-5kA  
D1: 10/350 $\mu$ s-2.5kA
- Longer impulse current life and higher impulse withstand current than old R·S·M-RL.



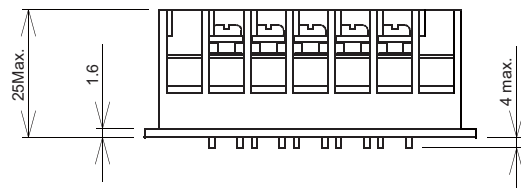
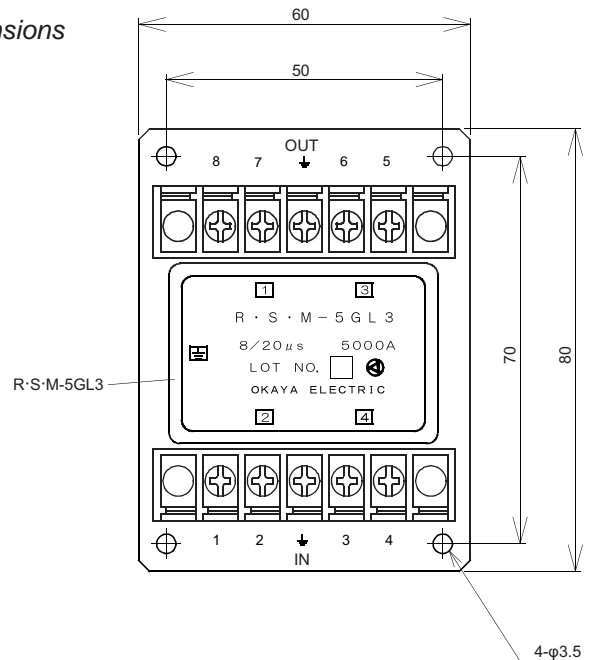
**Applications**

- Data processing machine and control machine with communication signal line
- LED light dimmer
- Fire alarm apparatus system
- Security camera
- Outdoor display unit

**Circuit**



**Dimensions**



Unit: mm

**Electrical Specifications**

	Model Number			R·S·M-5GL3-PT	R·S·M-12GL3-PT	R·S·M-24GL3-PT	R·S·M-48GL3-PT
	In	Out	Class				
Rated Voltage	①,③/②,④	⑤,⑦/⑥,⑧	-	DC5.0V	DC12.0V	DC24.0V	DC48.0V
Max. Continuous Operating Voltage	①,③/②,④	⑤,⑦/⑥,⑧	-	DC6.05V	DC14.5V	DC26.8V	DC55.1V
Rated Current	①,③/⑤,⑦			3A			
Residual Voltage (representative value) 1.2/50 $\mu$ s-8/20 $\mu$ s, 10kV-5kA	⑥,⑦- $\perp$	-	-	30V	60V	70V	100V
Impulse Discharge Current	①,②,③,④- $\perp$	-	Category C2	8/20 $\mu$ s-5kA, 5 times for each positive and negative			
	①,②,③,④- $\perp$	-	Category D1	10/350 $\mu$ s-2.5kA, 1 time for each positive and negative			