



BWZ-4, BWZ-5
R·A·V- BXZ-4, BXZ-5 SERIES **SURGE PROTECTIVE DEVICES**



Features

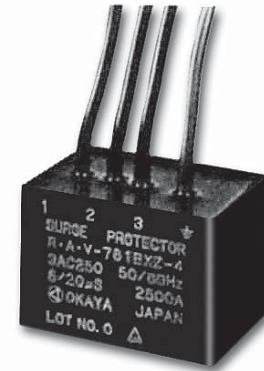
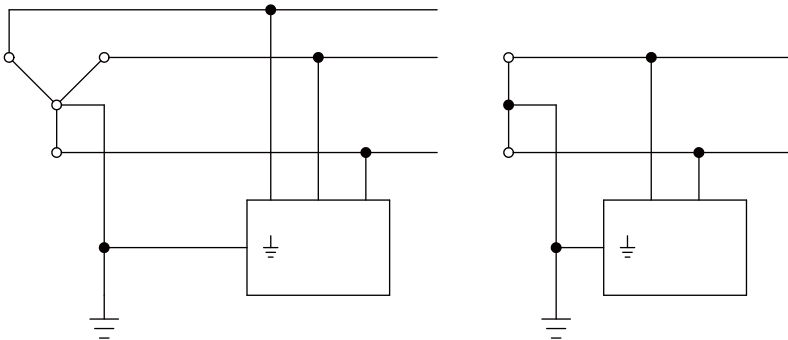
- These models are specifically designed for use in AC power line applications which may require European (CE) mark.
- They are designed for use in Single and Three-Phase applications for protection against “Common mode” noise transient surges.
- Three-Phase application include Delta and Y connections to AC500V.



Safety Standard		File No.
UL	:UL1449 3rd.	E322107
CSA	:C22.2 No.8	LR105073
TÜV	:EN60099-1	J9551051

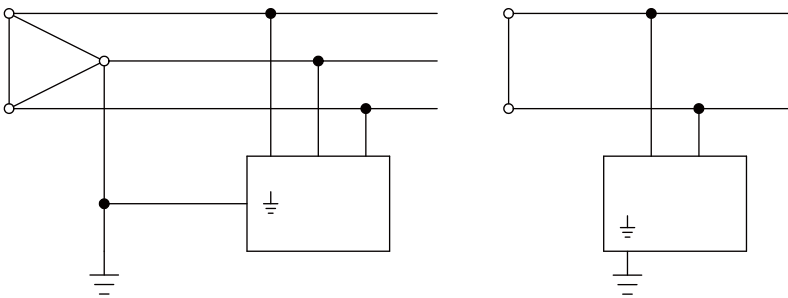
• *Circuit*

- Y connection



Y connection - 1 φ ~ AC500V : R·A·V-781BWZ-4
 3 φ ~ AC430V : R·A·V-781BXZ-4
 3 φ ~ AC500V : R·A·V-801BXZ-4

- Δ connection



Δ connection - 1 φ ~ AC250V : R·A·V-781BWZ-4
 3 φ ~ AC250V : R·A·V-781BXZ-4
 3 φ ~ AC250V : R·A·V-801BXZ-4

Electrical Specifications

Safety Standard	Model Number	Rated Voltage		Power Frequency Sparkover Voltage U_a (V) ±20%	Nominal Discharge Current ins 8/20μs (A)	Max. Standard lightning Impulse Sparkover Voltage u_s 1.2/50μs (V)	Max. Sparkover Voltage at front of wave lighting Impulse u_{sa} 10,000V/μs (V)	Max. Residual Voltage u_r 8/20μs-2,500A (V)
		Δ connection L-L, L-⊥	Y connection L-L, L-⊥					
	R·A·V-781BWZ-4	AC250V	AC250/500V	700	2,500	2,000	3,000	2,000
	R·A·V-781BWZ-5							
	R·A·V-781BXZ-4		AC250/430V					
	R·A·V-781BXZ-5							
	R·A·V-801BXZ-4		AC290/500V	800		2,320	3,480	2,320
	R·A·V-801BXZ-5							

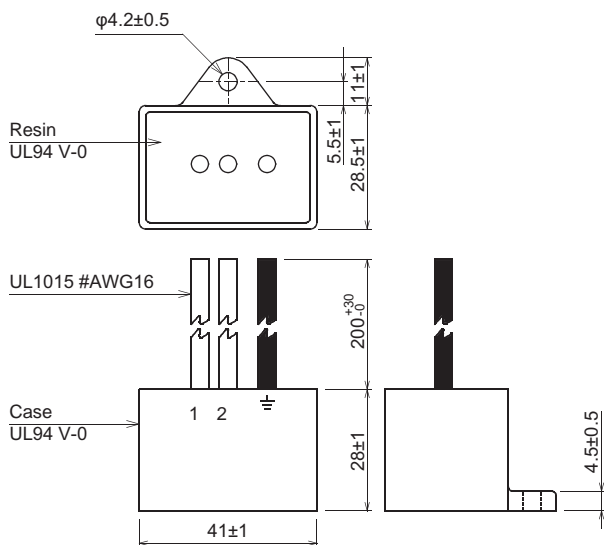
R·A·V-XXX-4: Wire type
 R·A·V-XXX-5: Lead type



• **Dimensions**

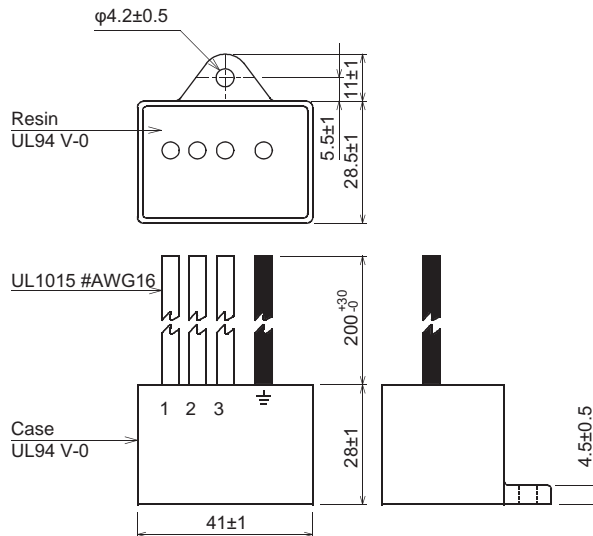
BWZ Series (Single-Phase)

Wire terminal type (-4)

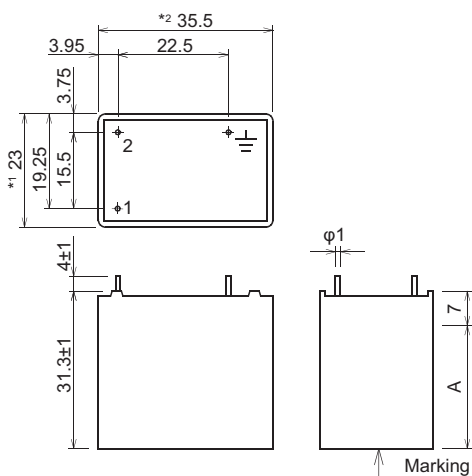


BXZ Series (Three-Phase)

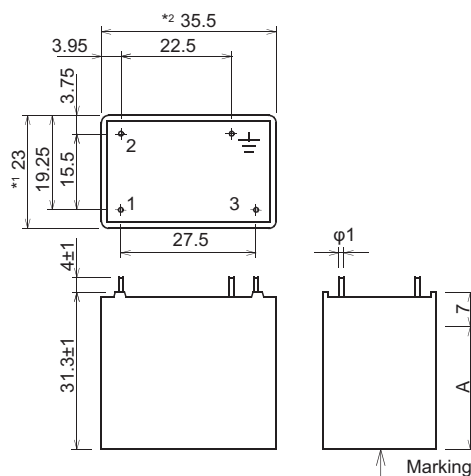
Wire terminal type (-4)



Solder lead type (-5)



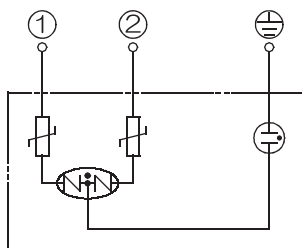
Solder lead type (-5)



Unit: mm
 (A, *1, *2: Tolerances ±0.5)
 Tolerances: ±1.0

• **Circuit**

BWZ series



BXZ series

