



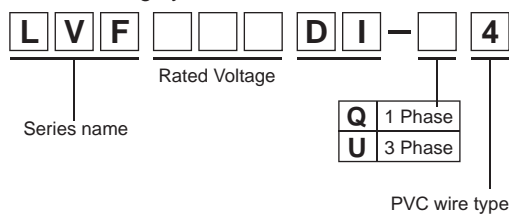
Features

- Compliant to the standard specification of the Ministry of Land, Infrastructure, Transport and Tourism
- SPD with a fail safe function to prevent short-circuit (separation of circuit and element is visually confirmable)
- Quick response for surge
- JIS5381-I : Nominal 8/20 μ s-5,000A
Max. 8/20 μ s-10,000A
- Impulse test category: Class II (Type II)
- Every pathway consists of same elements.
Between line and line/between lines and ground can protect as the same level.

Applications

- Road traffic and related equipment
- Power conditioner for solar photovoltaic system etc.

- Model numbering system



- Indicator of disconnecter status



Status

- Green: Normal
- No Green: Abnormal

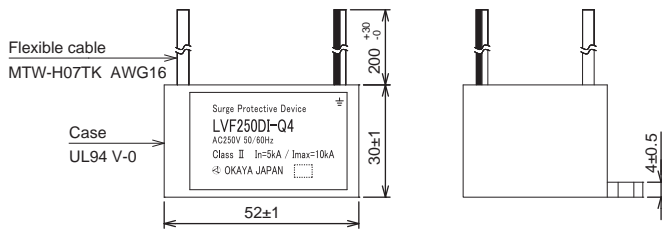
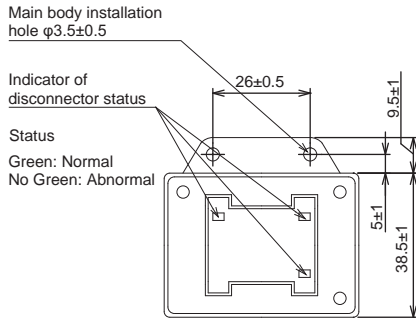
Electrical Specifications

Model Number	Rated Voltage 50/60Hz		DC Operating Voltage (V) \pm 25%	Voltage Protection Level (V)	Nominal Discharge Current 8/20 μ s (A)	Max. Discharge Current 8/20 μ s (A)	Impulse Life Test 8/20 μ s-1,000A
LVF150DI-Q4	SinglePhase	AC150V	450	1,200	5,000	10,000	Approx. 500 times
LVF250DI-Q4	SinglePhase	AC250V	700	1,500			
LVF250DI-U4	ThreePhase						
LVF300DI-Q4	SinglePhase	AC300V	1,000	2,000			
LVF300DI-U4	ThreePhase						
LVF480DI-Q4	SinglePhase	AC480V	1,400	2,500			
LVF480DI-U4	ThreePhase						

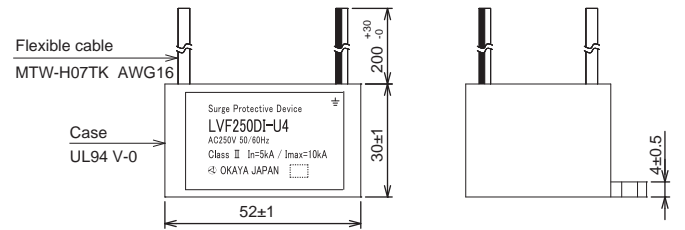
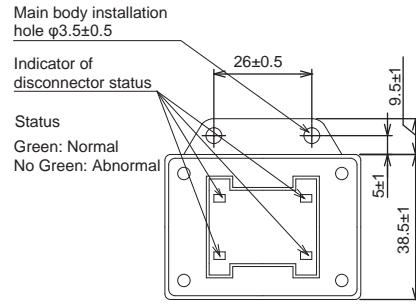


• Dimensions

LVF-□□□DI-Q4 series (Single-Phase)



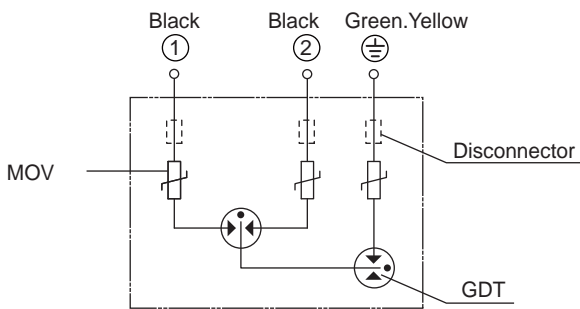
LVF-□□□DI-U4 series (Three-Phase)



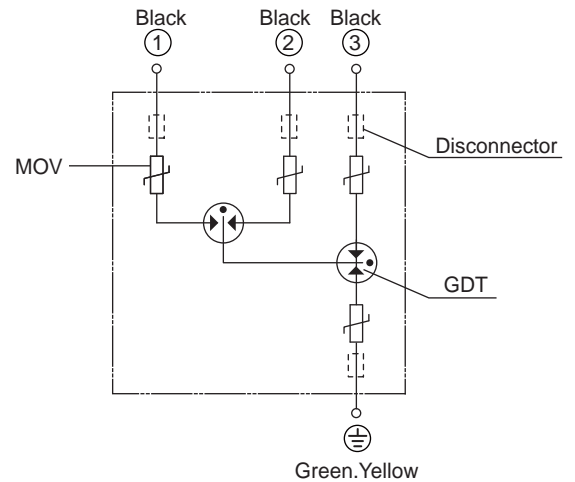
Unit: mm

• Circuit

LVF-□□□DI-Q4 series



LVF-□□□DI-U4 series



Flexible wires in black color can connect to each phase without any specific control.