



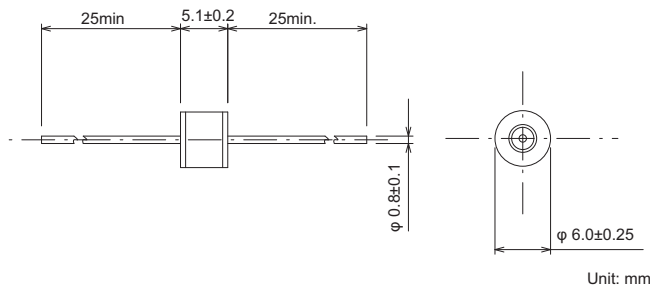
Features

- Quick response for surge.
- High impulse current capacity.
- It can withstand alternating current.
- Excellent insulation resistance and small capacitance.
- Recommendation of ITU-T conformity.

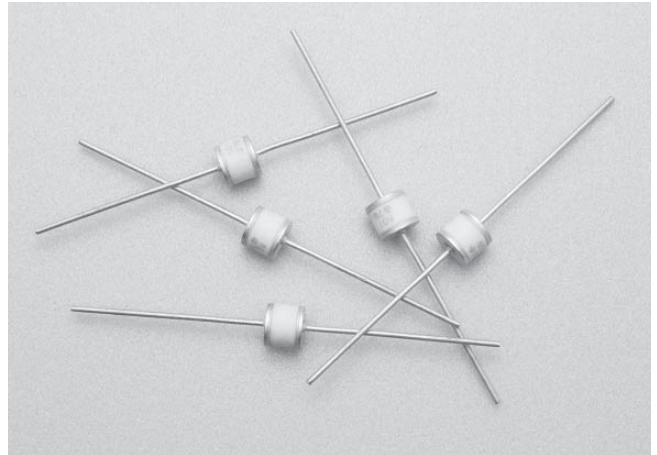
Applications

- Telephone, PBX, Wireless base station, Optical transmission equipments, CATV transmission equipments, Fire alarm systems and Home security systems. RoHS restriction complied.

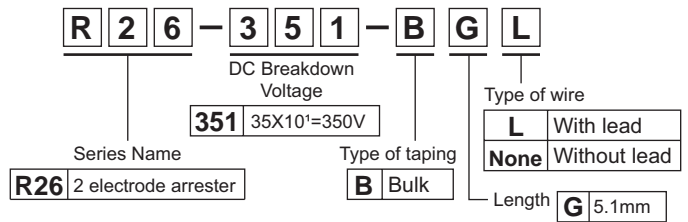
Dimensions



Safety Standard		File No.
UL	:UL497B	E139599
	:UL1449 3rd.	E332107



Model numbering system



Electrical Specifications (Low Voltage Type)

(Conforms to ITU-T)

Safety Standard		Model Number	DC Breakdown Voltage 100V/s ~ 500V/s (V) ±20%	Impulse Sparkover Voltage 100V/μs (V)max.	Insulation Resistance (MΩ) min.	Capacitance 1MHz (pF) max.	Impulse Life Test 10/1,000μs (A)300A times	Alternating Discharge Current 50Hz, 1s 10 times (A)	Impulse Discharge Current 8/20μs (A) 10 times
UL 497B	UL 1449								
○	-	R26-900-BGL	90	450	10,000(DC50V)	1.0	50	5	5,000
○	-	R26-151-BGL	150	500					
○	-	R26-231-BGL	230	600					
○	-	R26-251-BGL	250						
○	○ ⁻¹	R26-301-BGL	300	650	10,000(DC100V)				
○	○ ⁻¹	R26-351-BGL	350	750					
○	○ ⁻¹	R26-401-BGL	400	800					
○	○ ⁻¹	R26-471-BGL	470	900					
○	○ ⁻¹	R26-601-BGL	600	1,300					

Electrical Specifications (High Voltage Type)

Safety Standard	Model Number	DC Breakdown Voltage 500V/s (V) ±20%	Insulation Resistance (MΩ) min.	Capacitance 1MHz (pF) max.	Withstanding Voltage test	Impulse Life Test 8/20μs (A)300 times	Impulse Discharge Current 8/20μs (A)
UL 1449							
○ ⁻¹ ○ ⁻²	R26-801-BGL	800	10,000(DC250V)	1.0	-	500	5,000
○ ⁻¹ ○ ⁻²	R26-102-BGL	1,000			-		
○ ⁻¹ ○ ⁻²	R26-152-BGL	1,500			-		
○ ⁻¹ ○ ⁻²	R26-242-BGL	2,400			AC1,250V 3s		
○ ⁻¹ ○ ⁻²	R26-302-BGL	3,000			AC,1500V 60s		
○ ⁻¹ ○ ⁻²	R26-362-BGL	3,600			AC1,800V 3s		

^{*1} Rated voltage AC125V: Approved if it is connected to UL approved varistor (V1.0mA≥270V, D≥φ 14mm).
^{*2} Rated voltage AC250V: Approved if it is connected to UL approved varistor (V1.0mA≥470V, D≥φ 14mm).



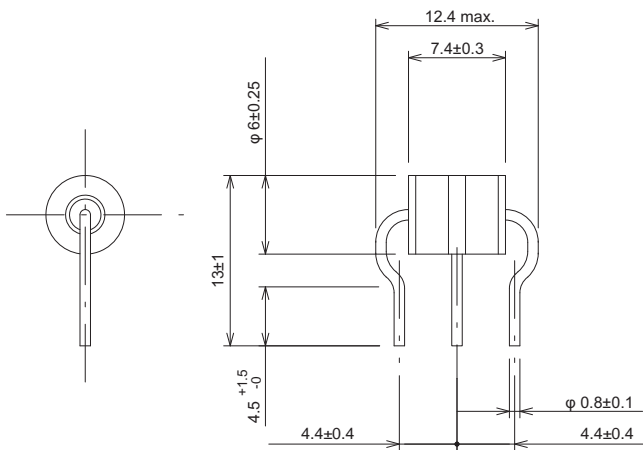
Features

- Quick response for surge.
- High impulse current capacity.
- It can withstand alternating current.
- Excellent insulation resistance and small capacitance.
- Recommendation of ITU-T conformity.

Applications

- Telephone, PBX, Wireless base station, Optical transmission equipments, CATV transmission equipments, Fire alarm systems and Home security systems. RoHS restriction complied.

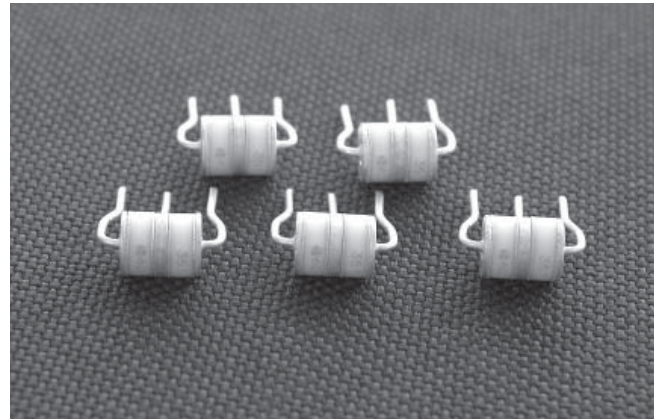
• *Dimensions*



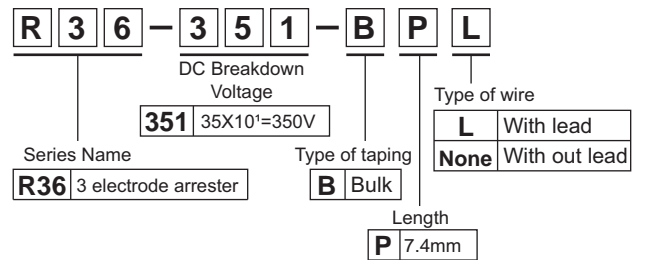
Unit: mm



Safety Standard	File No.
UL :UL497B	E139599



• Model numbering system



Electrical Specifications

(Conforms to ITU-T)

Safety Standard	Model Number	DC Breakdown Voltage 100V/s ~ 2,000V/s (V) ±20%	Impulse Sparkover Voltage 100V/μs (V)max.	Insulation Resistance (MΩ)min.	Capacitance 1MHz (pF) max.	Impulse Life Test 10/1,000μs (A)300 times	Alternating Discharge Current 50Hz, 1s 10 times (A)	Impulse Discharge Current 8/20μs (A)
	R36-900-BPL	90	450	10,000(DC50V)	1.0	50	5	5,000
	R36-231-BPL	230	600					
	R36-251-BPL	250						
	R36-351-BPL	350	750					
	R36-421-BPL	420	900					
	R36-601-BPL	600	1,300					