



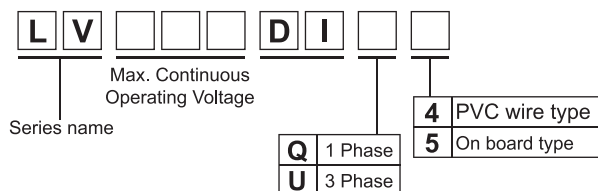
Features

- SPD with a fail safe function to prevent short-circuit (separation of circuit and element is visually confirmable)
- Compliance with IEC 61643-1 that meets the new JIS standards
- Against indirect lightning surge for single phase / three phase power supplies
- Quick response for surge
- Impulse current capacity 8/20µs-5,000A
- Impulse test category: Class II (Type II)

Applications

- Tapping machine, NC machine, other machine tools
- Lithography equipment, Washing device, IC tester
- Injection molding machine, Winding machine, Surface mounter
- Vehicle air conditioner
- Servo amplifier
- Electric facility, Industrial equipment

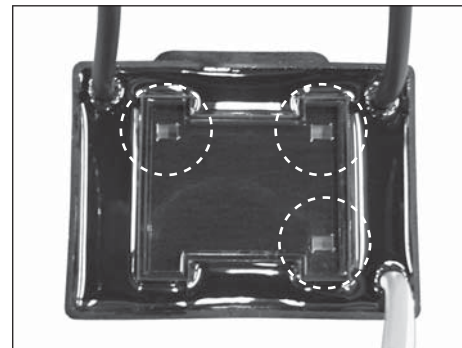
• Model numbering system



Safety Standard		File No.
UL	:UL1449	E322107
c-UL	:C22.2 No.8	E322107
SEMKO	:IEC61643-1:2005 2nd	SE-57200
	:EN61643-11:2002 +A11	815201



Action indication

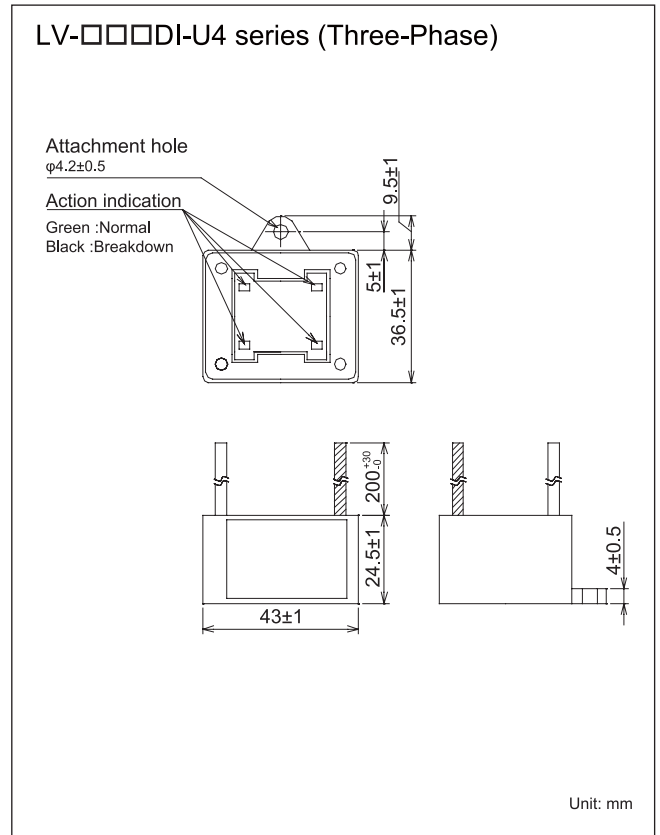
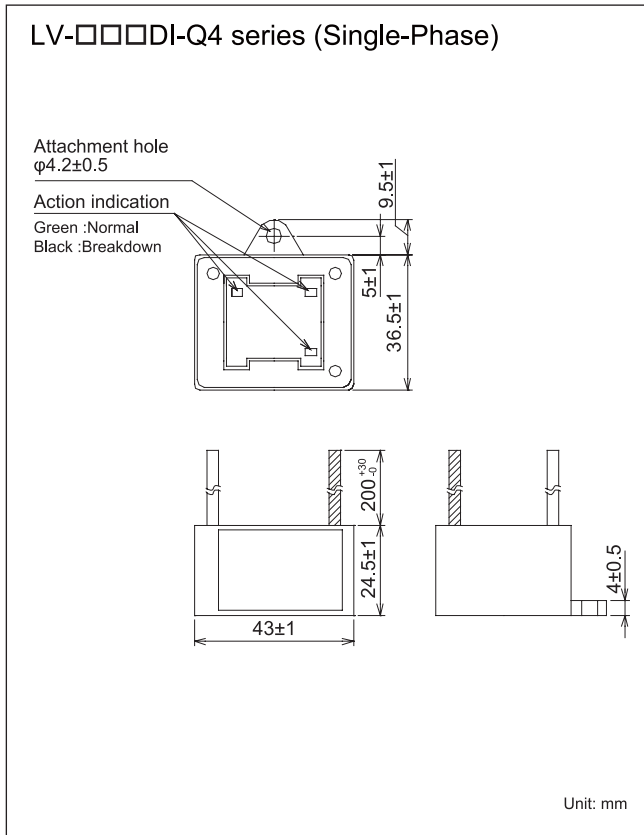


Electrical Specifications

Safety Standard	Model Number	Max. Continuous Operating Voltage (50/60Hz)		DC Breakdown Voltage (V)	Voltage Protection Level (V)	Normal Discharge Current 8/20µs (A)	Max. Discharge Current 8/20µs (A)	Surge Current Life 8/20µs-1,000A
	LV150DI-Q4	Single Phase	AC150V	450±25%	1,200	2,500	5,000	Approx. 500times
	LV275DI-Q4	Single Phase	AC275V					
	LV275DI-U4	Three Phase						
	LV480DI-Q4	Single Phase	AC480V	1,400±25%	2,000			
	LV480DI-U4	Three Phase						
	LV550DI-U4	Three Phase	AC550V	1,600±25%	2,500			

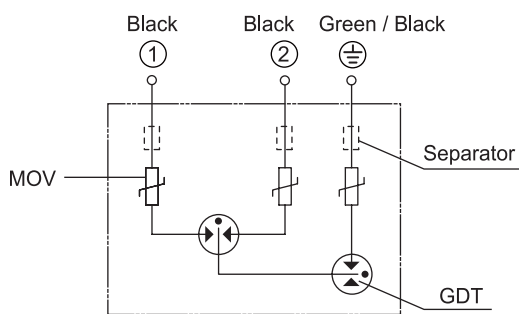


Dimensions



Circuit

LV□□□DI-Q4 series



LV□□□DI-U4 series

