

HIGH POWER LED

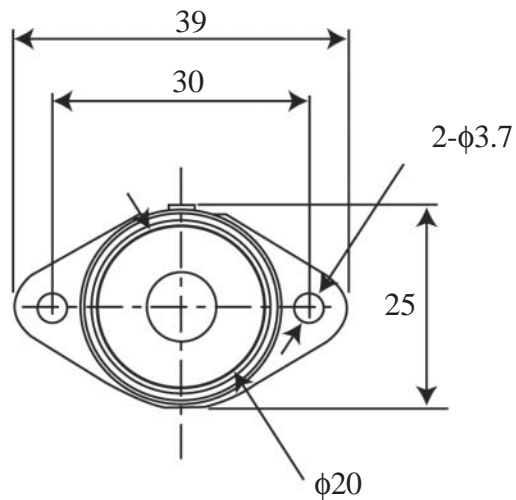
- RLD24A-10A-15 Series -

- Okaya's total reflective lens technology creates high power LED
- HighBrightness (600cd @0.6W)
- High Performance
- Directivity 2θ 1/2 6°

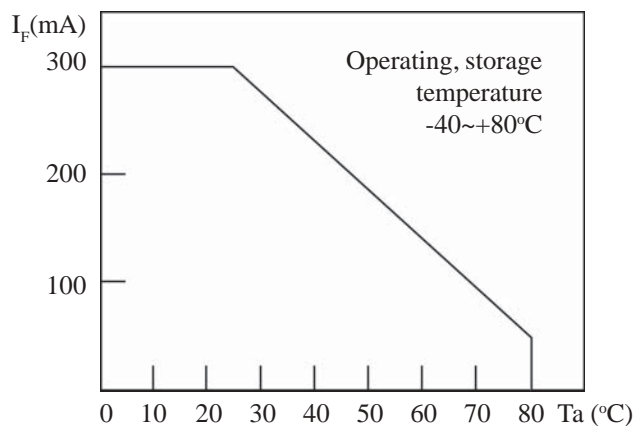
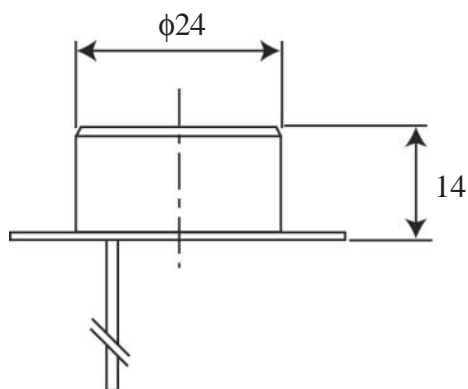
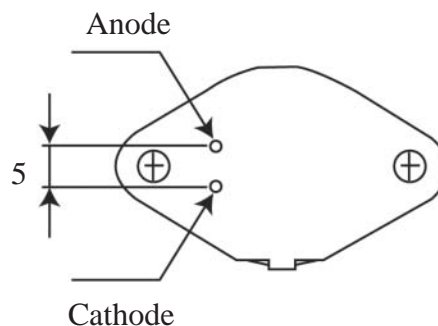


LEAD FREE

- OUTER DRAWING -



Unit: mm



SPECIFICATION (Ta=25°C)

Item	Symbol	Characteristic			Unit
		Red	Orange	Amber	
Illuminated Color	-	Red	Orange	Amber	-
Forward Current	I _F	300			mA
Forward Voltage	V _F	2.03	2.22	2.06	V
Emission Wavelength	λ _d	624	615	589	nm
Luminous Intensity	I _v	500	600	600	cd



OKAYA Electric America, Inc. www.okaya.com

Ph: 800-852-0122, Fax:219-477-4856, sales@okaya.com