



Features

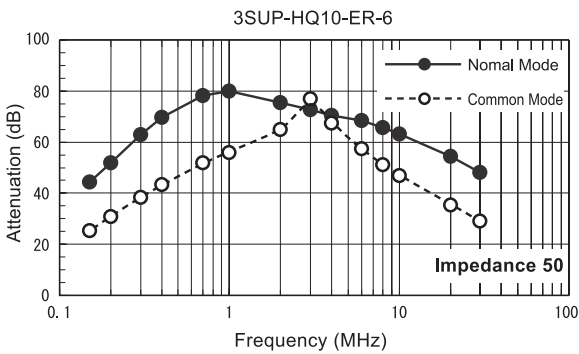
- Three phase filter delta.
- Light and compact size.
- Applies to EN55011 class A type.



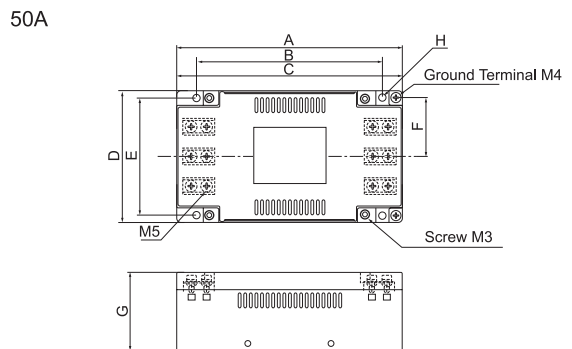
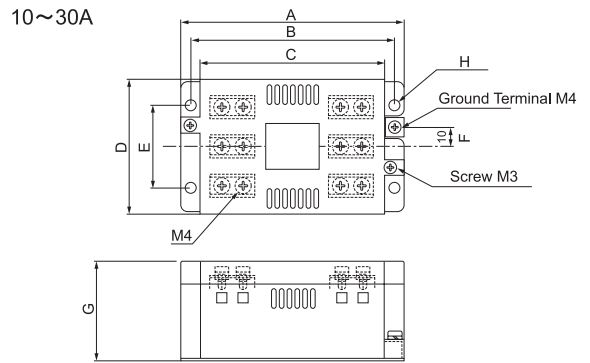
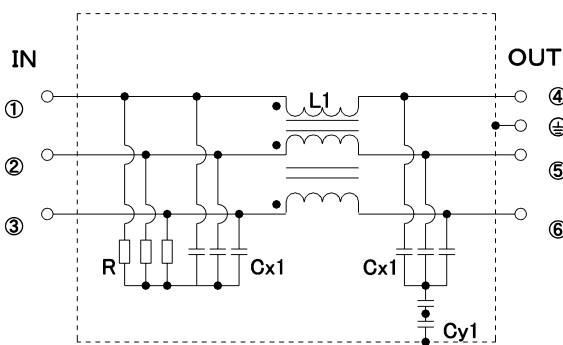
Safety Agency : Standard		File No.
UL	: UL-1283	E78644
C-UL	: C22.2、NO.8-M1986	E78644
SEMKO	: EN133200	SE/0142-7

The "ENCE" mark is a common European product certification mark based on testing to harmonised European safety standard.

Static characteristics



Circuit



Dimensions

	A	B	C	D	E	F	G	H	K	L
3SUP-HQ10-ER-6	115	105	95	70	43	10	52	5.5	M4	M4
3SUP-HQ20-ER-6	145	135	125	70	50	10	52	5.5	M4	M4
3SUP-HQ30-ER-6	145	135	125	70	50	10	52	5.5	M4	M4
3SUP-HQ50-ER-6	165	136	165	90	80	40	54	5.5	M5	M5

Electrical Specifications

Rated Voltage **500VAC**

Safety Agency	Model Number	Rated Current (A)	Test Voltage	Insulation Resistance	Leakage Current (max)	Voltage Drop (max)	Temperature Rise (max)	Operating Temperature (°C)
	3SUP-HQ10-ER-6	10	Line to Ground 2000Vrms 50/60Hz 60sec	Line to Ground 6000MΩmin (at 500VDC)	3.5mA (at 500Vrms 60Hz)	1.0Vrms	35deg	-25 ~ +50
	3SUP-HQ20-ER-6	20						
	3SUP-HQ30-ER-6	30						
	3SUP-HQ50-ER-6	50						