



Features

- Best performance series in most popular configurations.
- Dielectric withstand voltage twice safety agency requirement.
- High dv/dt, surge resistance and I/R ratings.
- IEC/EN 60384-14 class X1.

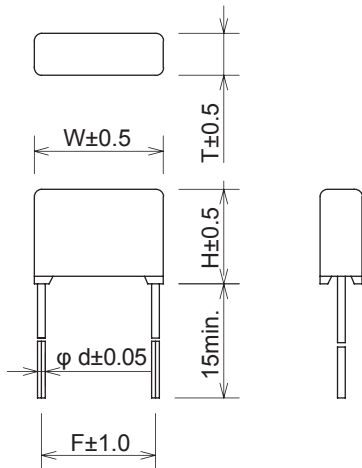
Applications

- Designed mainly for suppressing noise occurring in power line of electrical appliances.

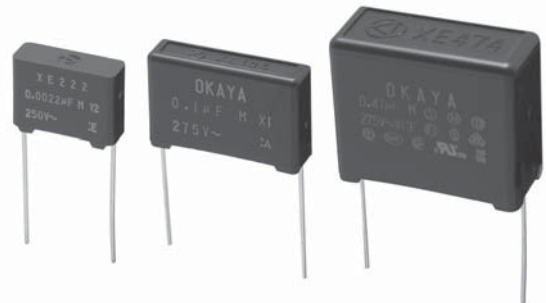


Safety Standard	File No.	
UL :UL60384-14	E47474	
cUL :CSA E60384-14	E47474	
CSA :CSA E60384-14	LR37404, LR104926	
VDE :IEC/EN 60384-14	40021020	
SEMKO :IEC/EN 60384-14	1021983	
NEMKO :IEC/EN 60384-14	P10213515	
DEMKO :IEC/EN 60384-14	315532-01	
FIMKO :IEC/EN 60384-14	FI 26476	
Electrosuisse :IEC/EN 60384-14	12.0477	
ÖVE :IEC/EN 60384-14	20938-003-03	
IMQ :IEC/EN 60384-14	102~682	V4048
	102~105	V4047

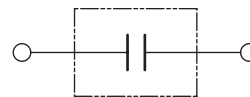
Dimensions



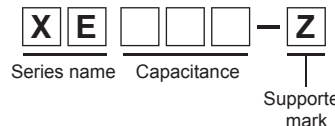
Unit: mm



Circuit



Model numbering system



Electrical Specifications

X1 (102~105) : 275Vac

Rated Voltage Y1 (102~682) : 250Vac

Safety Standard	Class	Model Number	Capacitance $\mu\text{F}\pm 20\%$	Dimensions					Dissipation Factor	Test Voltage		Insulation Resistance	
				W	H	T	F	d		Line to Line	Line to Case	Line to Line	Line to Case
	X1 and Y2*	XE102-Z	0.001	17.0	12.5	5.5	15.0	0.8	0.01max. (at 1kHz)	Line to Line 2,000Vac 50/60Hz 60sec	Line to Line 15,000M Ω min. (at 500Vdc)	Line to Case 100,000M Ω min. (at 500Vdc)	
		XE152-Z	0.0015										
		XE222-Z	0.0022										
		XE332-Z	0.0033										
		XE472-Z	0.0047										
		XE682-Z	0.0068										
	X1	XE103-Z	0.01	12.0	5.0	0.6							
		XE153-Z	0.015										
		XE223-Z	0.022										
		XE333-Z	0.033	12.5	5.5	0.8							
		XE473-Z	0.047	13.5	6.5								
		XE683-Z	0.068	15.0	8.0								
		XE104-Z	0.1	25.0	16.0	6.5	22.5						
		XE154-Z	0.15					17.5		8.0			
		XE224-Z	0.22					19.5		10.0			
		XE334-Z	0.33	30.0	22.0	11.0	27.5						
		XE474-Z	0.47					24.5		13.5			
		XE684-Z	0.68					30.5		28.0	16.5		
XE105-Z	1.0	36.0	30.5	20.0	32.5	1.0	Line to Line 5,000 Ω ·Fmin. (at 500Vdc)						

Operating Temperature: -40~+100°C
*Rated voltage of Y2 is 250Vac.