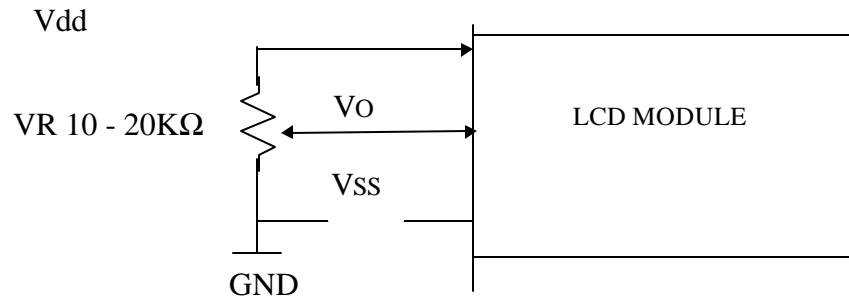
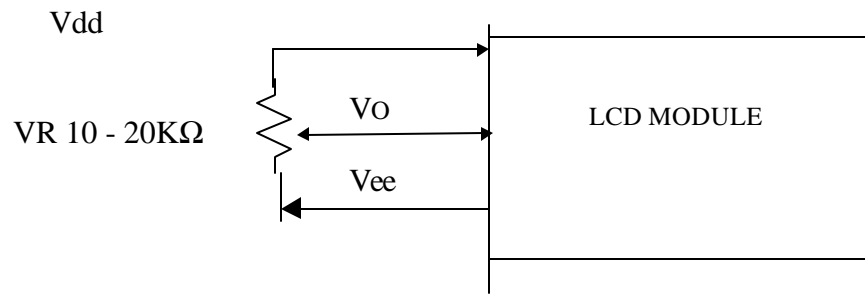


## §7 Contrast Adjusting Circuit

### (1) Single power supply & no N.V. built on board:



### (2) N.V. built on board



### (3) External N.V. supply (dual power supply)

