

§2 Backlight options

(1) EL Backlight:

Flat surface light source offers simple and even illumination over large area.

➤ Features:

* Max.1.3mm thickness (Max. 1.5mm for lead portion)

* Wide driving condition, 60-1,000Hz at 150V AC Max.

With inverter, step-up voltage from 1.5V battery is available.

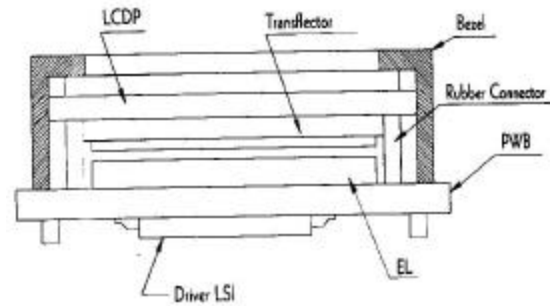
* Emitted colors are blue-green, yellow-green and white.

* Operating characteristics of PC2002-A SERIES is 110V, 400Hz, 8mA, (Ta=20 , 60% RH)

* Temperature Range:

Operating 0 ~ +50

Storage -20 ~ +60



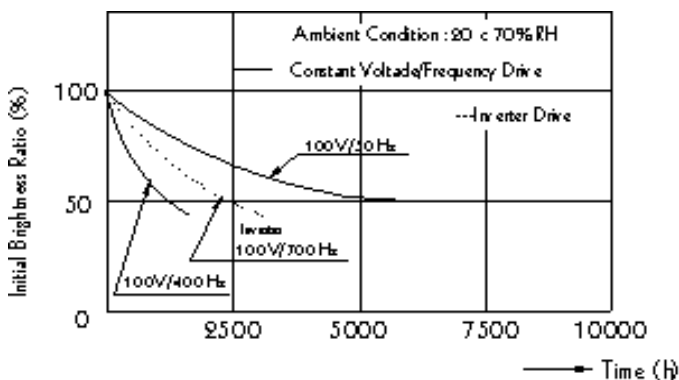
➤ Inverter for EL Backlight Drive:

Requires an inverter to operate the EL panel with a battery or DC power supply.

* Low inverter loss and high light efficiency since it is designed for EL backlight.

* Constant power consumption during operation, given temperature change for extended hours. This is characterized by the constant supply current, which minimizes the brightness change of the EL panel.

➤ Life Characteristics:



(2) CCFL Backlight (Cold Cathode Fluorescent Lamp):

Bright white color of light source offers clear and even illumination over large viewing area.

➤ Features:

* High Brightness

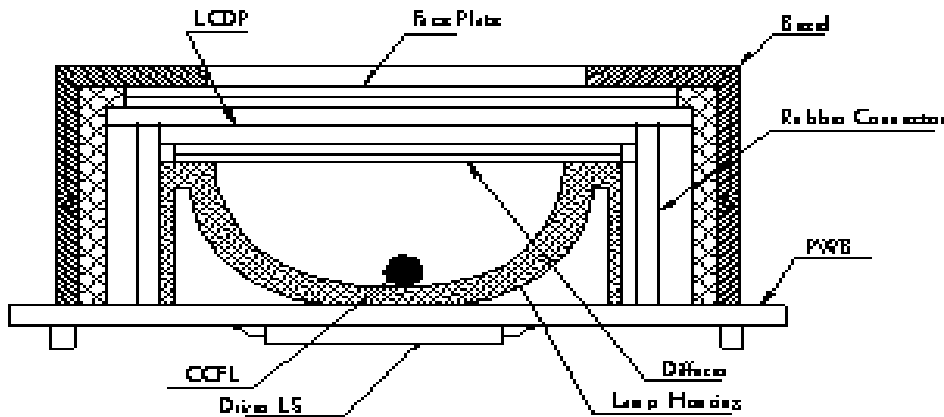
* Long life time.

* Low Power consumption

* White color emitted

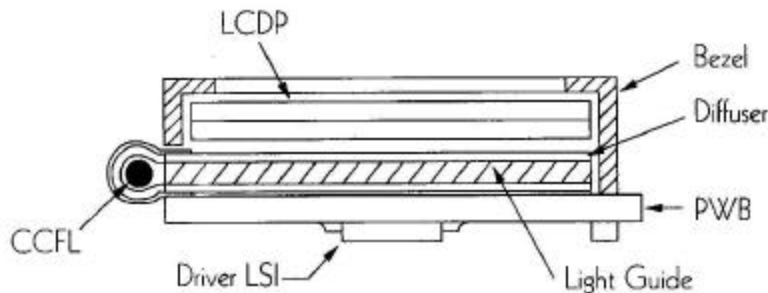
➤ Direct Illumination

Suitable for multi-color and / or dot matrix LCDP.



➤ Edge Illumination

Thin structure type of even illumination emits light from tube-like light source over a large area.



➤ Precaution:

Inverter for CCFL use output high pressure AC current. Therefore, please pay attention when you handle inverter and power supply cable of LCD backlight.

(3) LED Backlight

Long life, low power consumption and requires a simple power supply. Available colors are red, green and orange, available in array type illumination or edge illumination.

➤ Features

* Low driving voltage (DC) and does not require an inverter.

* Long life of 100,000 hours (average)

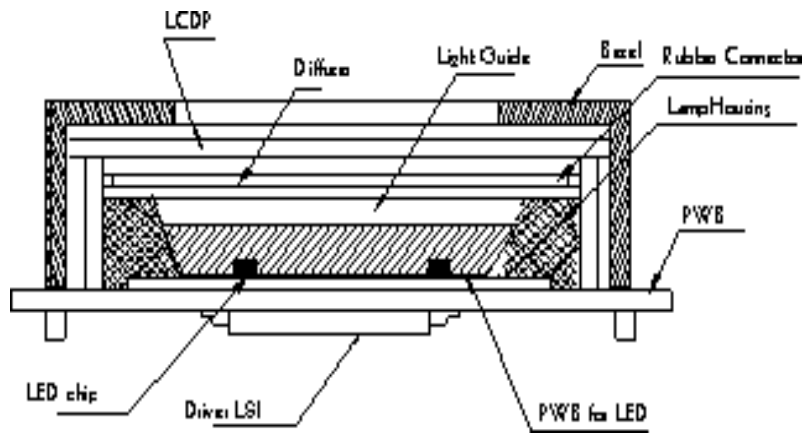
* No noise occurrence.

Various colors available in red, green and orange etc. (multi-color by alternative switch is also available)

*Operating characteristics of PC2002-A series is 4.2V, 210mA, 250cd/m

➤ Array Illumination

A grid array of led's provide even illumination.



➤ Edge Illumination

Combination LED with a light guide offers a thin structure type of illumination.

